



Model number

MH 04-3505

Mounting aid for FP sensors

Features

- Suitable for FP sensors

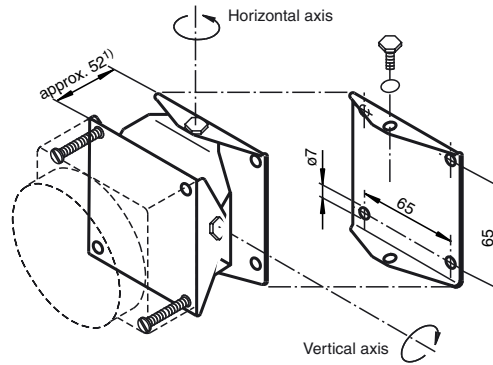
Function

The mounting bracket type 04-3505 simplifies the adjustment of ultrasonic sensors of the series FP.

It permits the fitted and wired sensor to be pivoted in 2 orthogonally related axes by up to $\pm 30^\circ$.

The fixing screws are then tightened to secure the sensor in the desired position.

Dimensions



Technical data

Mechanical specifications

Dimensions	approx. 80 mm x 80 mm x 92 mm
------------	-------------------------------